

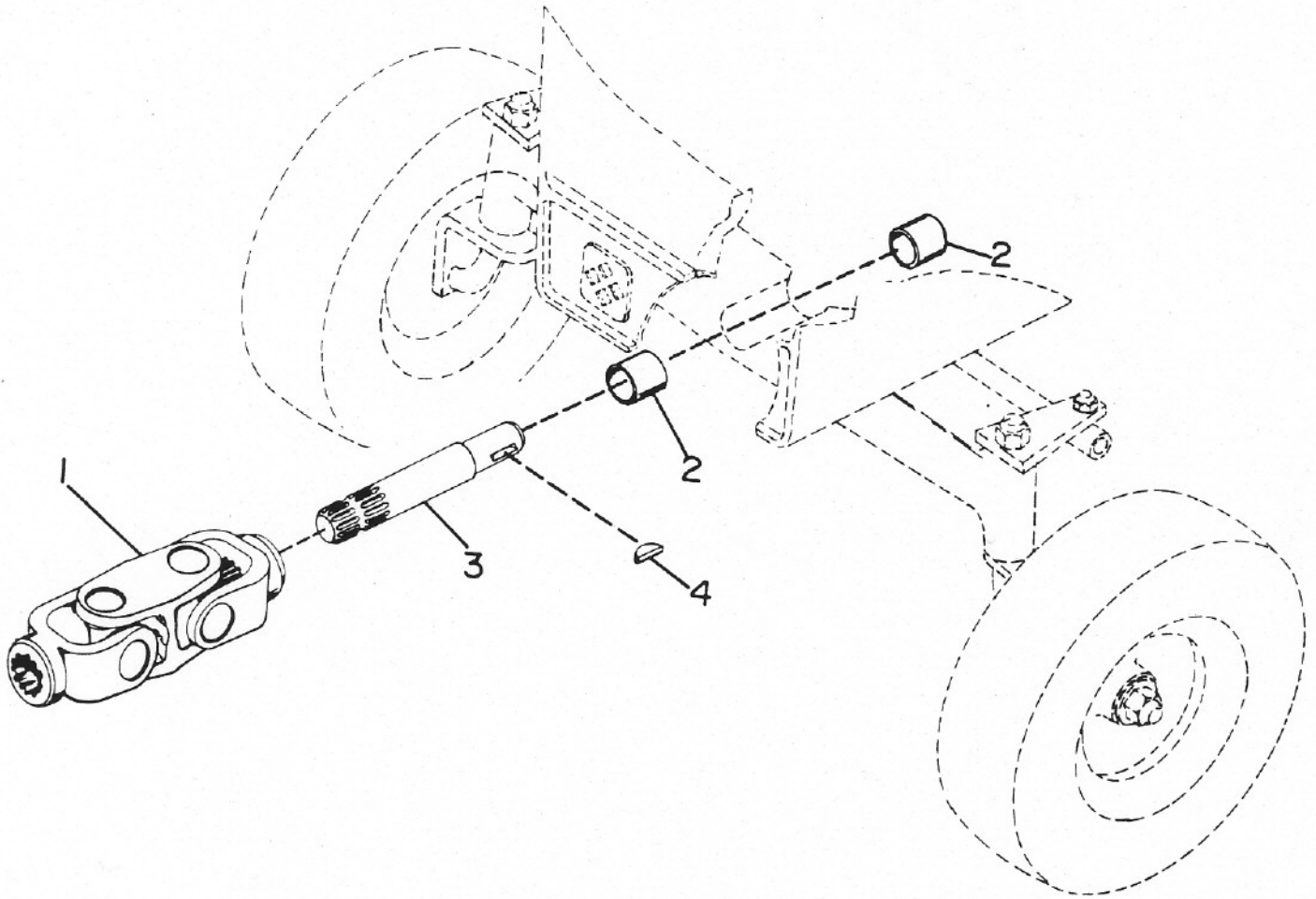


To continue its program of quality and design improvement, the manufacturer reserves the right to change specifications, design or prices without notice and without incurring obligation.

ILLUSTRATED PARTS LIST

FRONT DRIVE CONVERSION
KIT

Model Number 15839E1
Effective Date 6-15-72
Form Number 19703P1



ITEM NO.

PART NO.

DESCRIPTION

1	15835A1	Double Joint Assembly
2	15836P1	Bearing Sleeve
3	15837P1	Shaft Front Drive
4	113782	Woodruff Key #15, 1/4 x 1
NS	12134P1	Repair Kit for Universal Joints